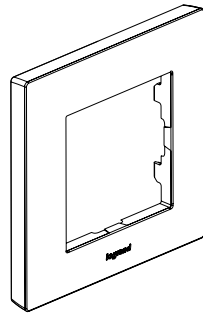
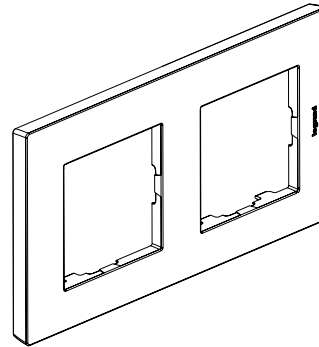


Niloé™ STEP Cover plates

Cat. No(s): 3 982 71/72/73/74/75/76/77/78/79/80/81/82/87/88/89/90/91/92/93 - 8 630 91/92/93/94/95
 - 8 631 91/92/93/94/95 - 8 632 91/92/93/94/95 - 8 633 91/92/93/94/95 - 8 634 91/92/93/94/95
 - 8 635 91/92/93/94/95 - 8 636 91/92/93/94/95 - 8 637 91/92/93/94/95 - 8 638 91/92/93/94/95
 - 8 639 91/92/93/94/95 - 8 641 61/71/72/73/74/75 - 8 643 61/71/72/73/74/75 - 8 645 61/71/72/73/74/75
 - 8 646 61/71/72/73/74/75 - 8 647 71/72/73 - 8 648 71/72/73/74



8 63X 91



8 63X 92

1. USE

Faceplates for Niloé Step from 1 to 5 gangs wiring accessories.
 Available in several colours.

2. RANGE

1-gang plates with labelholder

	White	8 641 61
	Aluminium	8 643 61
	Black	8 645 61
	Sand	8 646 61

1-gang plates

	Atoll	8 630 91
	White	3 982 71, 8 631 91, 8 641 71
	Old pink	8 632 91
	Aluminium	3 982 79, 8 633 91, 8 643 71
	Medium grey	8 634 91
	Black	3 982 75, 8 635 91, 8 645 71
	Pearl	8 636 91
	Dark grey	8 637 91
	Brushed aluminium	3 982 87, 8 638 91, 8 648 71
	Brushed medium grey	8 639 91
	Sand	8 646 71
	Copper	3 982 91, 8 647 71

2-gang plates

71 mm spacing - horizontal and vertical

	Atoll	8 630 92
	White	3 982 72, 8 631 92, 8 641 72
	Old pink	8 632 92
	Aluminium	3 982 80, 8 633 92, 8 643 72
	Medium grey	8 634 92
	Black	3 982 76, 8 635 92, 8 645 72
	Pearl	8 636 92
	Dark grey	8 637 92
	Brushed aluminium	3 982 88, 8 638 92, 8 648 72
	Brushed medium grey	8 639 92
	Sand	8 646 72
	Copper	3 982 92, 8 647 72

2. RANGE (continued)

3-gang plates

71 mm spacing - horizontal and vertical

	Atoll	8 630 93
	White	3 982 73, 8 631 93, 8 641 73
	Old pink	8 632 93
	Aluminium	3 982 81, 8 633 93, 8 643 73
	Medium grey	8 634 93
	Black	3 982 77, 8 635 93, 8 645 73
	Pearl	8 636 93
	Dark grey	8 637 93
	Brushed aluminium	3 982 89, 8 638 93, 8 648 73
	Brushed medium grey	8 639 93
	Copper	3 982 93, 8 647 73
	Sand	8 646 73

4-gang plates

71 mm spacing - horizontal and vertical

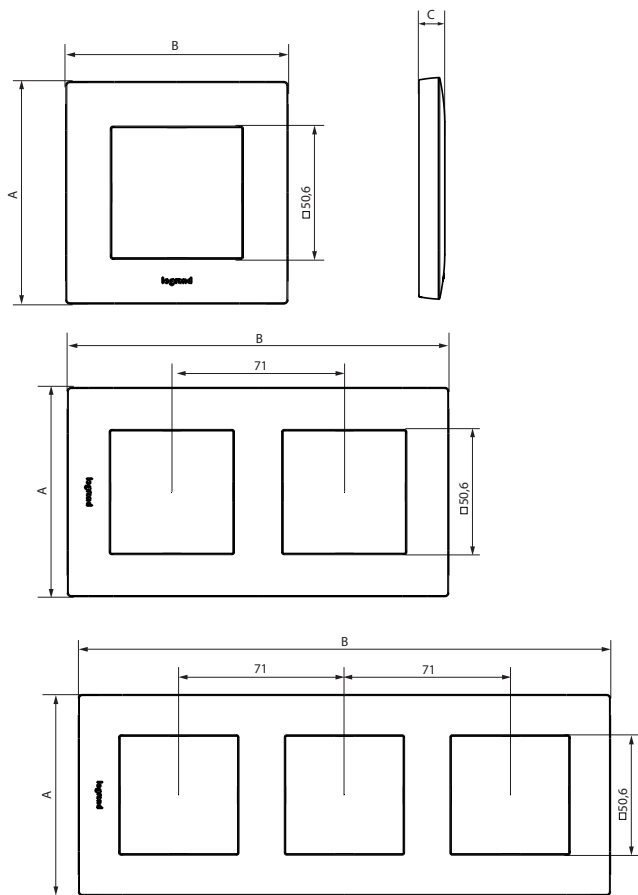
	Atoll	8 630 94
	White	3 982 74, 8 631 94, 8 641 74
	Old pink	8 632 94
	Aluminium	3 982 82, 8 633 94, 8 643 74
	Medium grey	8 634 94
	Black	3 982 78, 8 635 94, 8 645 74
	Pearl	8 636 94
	Dark grey	8 637 94
	Brushed aluminium	3 982 90, 8 638 94, 8 648 74
	Brushed medium grey	8 639 94
	Sand	8 646 74

5-gang plates

71 mm spacing - horizontal and vertical

	Atoll	8 630 95
	White	8 631 95, 8 641 75
	Old pink	8 632 95
	Aluminium	8 633 95, 8 643 75
	Medium grey	8 634 95
	Black	8 635 95, 8 645 75
	Pearl	8 636 95
	Dark grey	8 637 95
	Brushed aluminium	8 638 95
	Brushed medium grey	8 639 95
	Sand	8 646 75

3. OVERALL DIMENSIONS (mm)



	A	B	C
1-gang	86	86	10
2-gang 71 mm fixing centres	86	157	10
3-gang 71 mm fixing centres	86	228	10
4-gang 71 mm fixing centres	86	299	10
5-gang 71 mm fixing centres	86	370	10

4. TECHNICAL CHARACTERISTICS

■ 4.1 Materials

Mat surface appearance

- Material: - ABS plate
- Halogen-free
- UV resistant

Self-extinguishing:

- + 850°C/30 s for insulating parts holding live parts in place
- + 650°C/30 s for other parts made of insulating materials

■ 4.2 Climatic characteristics

Storage and usage temperature: - 5°C to + 35°C

5. CLEANING

Clean the surface with a cloth.

Do not use acetone, tar-removing cleaning agents or trichloroethylene.

Caution: An initial test is required for the use of other special maintenance products.

6. STANDARDS AND APPROVALS

The undersigned, LEGRAND, declares that the radio-electric equipment type (Cat. Nos: 3 982 71/72/73/74/75/76/77/78/79/80/81/82/87/88/89/90/91/92/93 - 8 630 91/92/93/94/95 - 8 631 91/92/93/94/95 - 8 632 91/92/93/94/95 - 8 633 91/92/93/94/95 - 8 634 91/92/93/94/95 - 8 635 91/92/93/94/95 - 8 636 91/92/93/94/95 - 8 637 91/92/93/94/95 - 8 638 91/92/93/94/95 - 8 639 91/92/93/94/95 - 8 641 61/71/72/73/74/75 - 8 641 71/72/73/74/75 - 8 643 61/71/72/73/74/75 - 8 645 61/71/72/73/74/75 - 8 647 71/72/73 - 8 648 71/72/73/74) complies with directive 2014/53/EU.

The full text of the EU declaration of conformity is available on the following website: www.legrand.com/ecatalogue