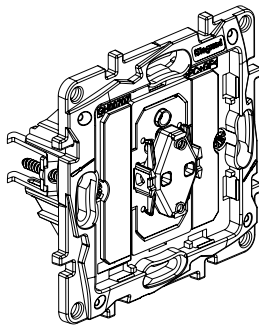
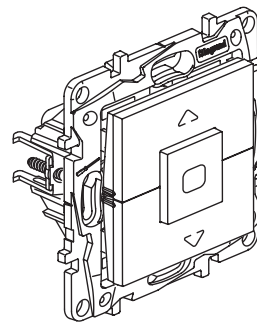


**Niloé™ Step  
 Roller Blind**

Cat. No(s): 8 640 30/31 - 8 641 30/31  
 8 643 30/31 - 8 645 30/31  
 8 646 30/31 - 8 649 31



8 640 30



8 649 31

**1. USE**

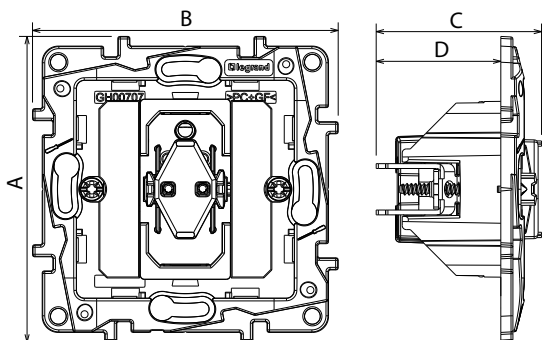
Shutter controls mechanisms 250 V~.  
 Mechanisms supplied with protection cover.  
 To be equipped with plates one or several gangs.  
 Flush-mounting or surface-mounting.  
 Screw or claw fixing.

**2. RANGE**

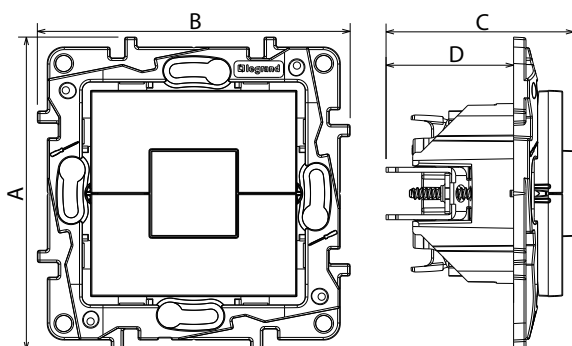
Description	Mechanism only	Mechanism + Cover plate	Cover plate only			
		White	White	Aluminium	Black	Sand
Roller blind push-button 6 A - 250 V~	8 640 30	-	8 641 30	8 643 11	8 645 30	8 646 30
Roller blind switch 6 AX - 250 V~	8 640 31	8 649 31	8 641 31	8 643 31	8 645 31	8 646 31

### 3. DIMENSIONS (mm)

Cat. No 8 640 3X



Cat. No 8 649 31



References	A	B	C	D
8 640 30	75.8	75.8	41	31
8 640 31	75.8	75.8	41.7	31
8 649 31	75.8	75.8	45.5	31

### 4. CONNECTION

Type of terminals: \_ 8 640 30 screws  
\_ 8 64X 31 automatic

Capacity: 2 x 2.5 mm<sup>2</sup>  
Flexible or rigid cables compatible

References	Stripping length (mm)
8 640 30	8
8 640 31 - 8 649 31	13

### 5. TECHNICAL CHARACTERISTICS

#### ■ 5.1 Mechanical characteristics

Protection against solid bodies and liquids: IP 20  
Protection against impact: IK 04

#### ■ 5.2 Material characteristics

Material : - Mechanism housing: PC  
- Rocker plate: ABS  
- Halogen free  
- UV resistant  
- Claws: steel  
Material of the support: - PC + FV  
- Halogen free

Self-extinguishing:

- + 850° C / 30 s for insulating parts holding live parts in place
- + 650° C / 30 s for other parts made of insulating materials

#### ■ 5.3 Electrical characteristics

Voltage: 250 V~  
Current: \_ 6 A for 8 64X 30  
\_ 6 AX for 8 64X 31  
Maximum power on integrated ballast lamps: 100 W  
Frequency: 50/60 Hz

#### ■ 5.4 Climatic characteristics

Storage and use temperature: - 5° C to + 35° C

### 6. MAINTENANCE

Surface cleaning with a cloth.

Do not use: acetone, tar remover, trichloroethylene.

Maintenance with the following products: Hexane (EN 60669-1), Methylated spirit, Soapy water, Diluted ammonia, Bleach diluted to 10%, Window-cleaning products.

**Caution:** A preliminary test should be carried out if other specific cleaning products are to be used.

### 7. STANDARDS AND APPROVALS

Compliance with standards of installation and manufacturing.  
Refer to e. catalogue.