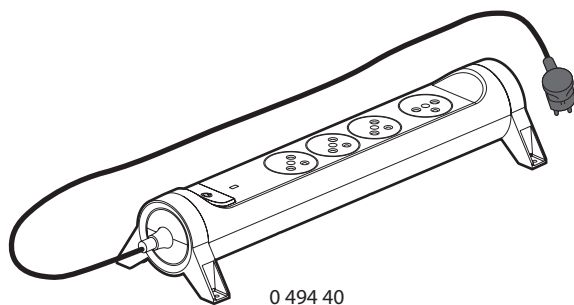
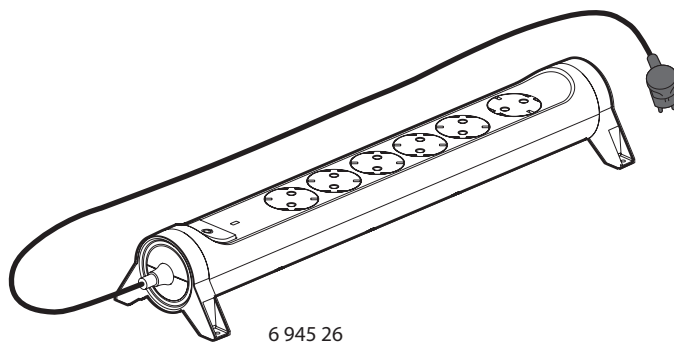


Rotating multi-outlet adapters with switch, circuit breaker and overload indicator

Cat. No(s): 0 494 40/41 - 6 945 25/26



0 494 40



6 945 26

1. USE

Multi-outlet extensions: 4 and 6 flush sockets with safety shutter. Socket block which pivots on its axis, incorporating a switch with indicator.

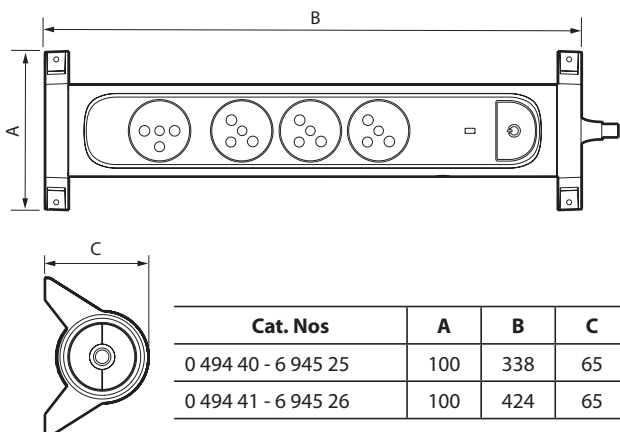
Equipped with an overload indicator that shows the power consumption of the plugged-in appliances and a miniature circuit breaker.

Can be fixed with screws onto a wall, piece of furniture, work surface.

2. RANGE

2P+E flush socket blocks with recesses at a 45° angle (except for 1 at 90° for connecting a transformer). Wired and equipped with a 1.5 m cord fitted with a 2P+E plug (H05VVf, 3G 1.5 mm²). French/Belgian standard	White/Black
4 x 2P+E + MCB & overload indicator+ cable	0 494 40
6 x 2P+E + MCB & overload indicator + cable	0 494 41
2P+E flush socket blocks with recesses at a 45° angle (except for 1 at 90° for connecting a transformer). Wired and equipped with a 1.5 m cord fitted with a 2P+E plug (H05VVf, 3G 1.5 mm²). German standard	White/Black
4 x 2P+E + MCB & overload indicator + cable	6 945 25
6 x 2P+E + MCB & overload indicator + cable	6 945 26

3. DIMENSIONS (mm)



4. TECHNICAL CHARACTERISTICS

■ 4.1 Mechanical characteristics

Impact tests: IK 04

Protection against solid/bodies and liquids: IP 20

■ 4.2 Material characteristics

Matt White RAL 9003/Matt Black RAL 9017 Plastic+ Thermoplastic

Halogen-free

UV-resistant

Self-extinguishing:

750°C/30 s for insulating components holding live parts in place.

650°C/30 s for other insulating components.

■ 4.3 Electrical characteristics

Voltage: 230 V~

Frequency: 50 Hz

Current: 16 A

Power: max. 3680 W

■ 4.4 Circuit breaker characteristics

Circuit breaker with manual reset (button on the side).

This system prevents the maximum power the multi-outlet extension can deliver being exceeded.

Green LED: normal consumption

Red LED: close to max. consumption

In the event of an overload, the thermal protection trips and cuts the power supply to the multi-outlet extension in order to guarantee your safety.

■ 4.5 Climate characteristics

Usage temperature: -5°C to +35°C

Storage temperature: -15°C to +70°C

5. CARE

Surface cleaning with a cloth.

Do not use: acetone, tar remover, trichloroethylene.

Caution: Always test before using other special cleaning products.

6. STANDARDS AND APPROVALS

Compliant with installation and manufacturing standards

See e. catalogue.