



# CK PLASTICO

5211319800 - CK-60 F (230V 50) - KITCHEN EXTRACT FANS



Centrifugal extractor, fire-retardant plastic V0, with tray collects grease, and 230V-50Hz motor, Class B. Brand S&P model CK-60 F (230V 50)

**5211319800 - CK-60 F (230V 50)**

## Theoretical Working Point

Airflow	-
Static Pressure	0,000 Pa
Temperature	20 °C
Altitude	0 m
Density	1,2 kg/m <sup>3</sup>
Frequency	50 Hz

## Construction

Discharge diameter	116 mm
Fan size	60 F
Blades	0
Weight	3,60 kg

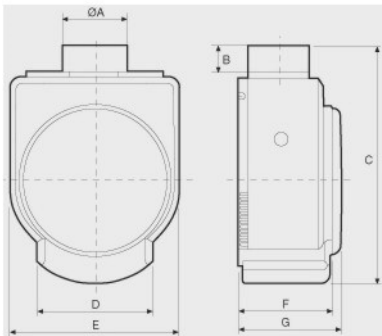
## Motor Characteristics

Voltage	1-230V-50Hz
Maximum absorbed current	0,7 A
Motor insulation class	B

## Working Point

Fan speed	2475
-----------	------

## Drawing (mm)



A	B	C	D	E	F	G
116.5	42	410	180	293.5	145	174

## Performance Chart(s)

