



# CK PLASTICO

5211316400 - CK-40 F (230V 50) - KITCHEN EXTRACT FANS



Centrifugal extractor, fire-retardant plastic V0, tray collects grease, and 230V-50Hz motor, Class B. Brand S&P model CK-40 F (230V 50)

**5211316400 - CK-40 F (230V 50)**

## Theoretical Working Point

Airflow	-
Static Pressure	0,000 Pa
Temperature	20 °C
Altitude	0 m
Density	1,2 kg/m <sup>3</sup>
Frequency	50 Hz

## Construction

Discharge diameter	98 mm
Fan size	40 F
Weight	3,29 kg

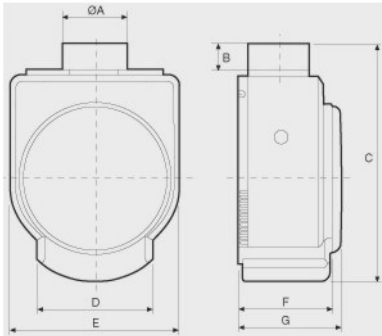
## Motor Characteristics

Voltage	1-230V-50Hz
Maximum absorbed current	0,3 A
Motor insulation class	B

## Working Point

Fan speed	2350
-----------	------

## Drawing (mm)



A	B	C	D	E	F	G
98	42	370	179	266	140	162

## Performance Chart(s)

