



CK PLASTICO

5211315600 - CK-25 N (230V 50) - KITCHEN EXTRACT FANS



Centrifugal extractor, fire-retardant plastic V0, with tray collects grease, and 230V-50Hz motor, Class B.
Brand S&P model CK-25 N (230V 50)

5211315600 - CK-25 N (230V 50)

Theoretical Working Point

Airflow	-
Static Pressure	0,000 Pa
Temperature	20 °C
Altitude	0 m
Density	1,2 kg/m ³
Frequency	50 Hz

Construction

Discharge diameter	98 mm
Fan size	25 N
Weight	2,17 kg

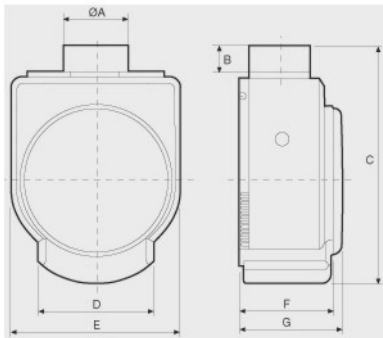
Motor Characteristics

Voltage	1-230V-50Hz
Maximum absorbed current	0,1 A
Motor insulation class	B

Working Point

Fan speed	2250
-----------	------

Drawing (mm)



A	B	C	D	E	F	G
98	34	304	149	218	0	127

Performance Chart(s)

