



PART-TURN ACTUATOR,  
PLASTIC FOR POSITION SWITCH 3SE52,  
ADJUSTABLE, WITHOUT LEVER

General technical data:		
<b>Product designation</b>		Semi-rotary actuator for position switch
<b>Explosion protection category for dust</b>		none
<b>Resistance against vibration</b>		0.35 mm / 5g
<b>Resistance against shock</b>		30g / 11 ms
<b>Ambient temperature</b>		
• during operating	°C	-25 ... +85
• during storage	°C	-40 ... +90
<b>Material / of the enclosure</b>		
• of the switch head		plastic
<b>Design of the operating mechanism</b>		without
<b>mounting position</b>		any
<b>Reference code</b>		
• according to DIN 40719 extended according to IEC 204-2 / according to IEC 750		E
• according to DIN EN 61346-2		T

**Certificates/ approvals:**

General Product Approval

Declaration of  
Conformity

Test Certificates



[Special Test  
Certificate](#)

other

[Confirmation](#)

[Vibration Test  
Certificates](#)

Further information:

Information- and Downloadcenter (Catalogs, Brochures,...)

<http://www.siemens.com/industrial-controls/catalogs>

Industry Mall (Online ordering system)

<http://www.siemens.com/industrial-controls/mall>

Cax online generator

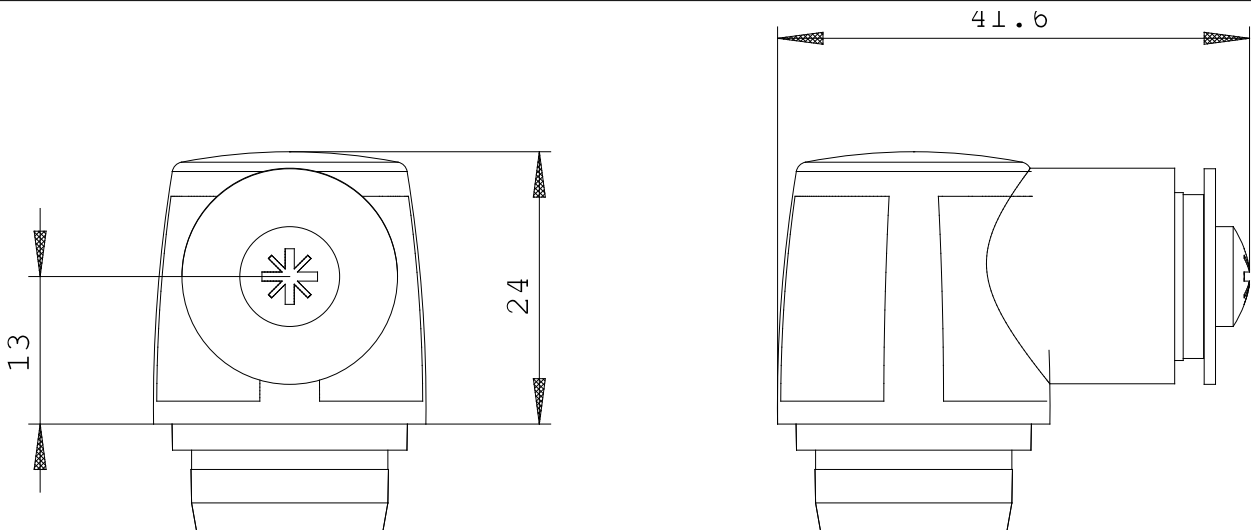
<http://www.siemens.com/cax>

Service&Support (Manuals, Certificates, Characteristics, FAQs,...)

<http://support.automation.siemens.com/WWW/view/en/3SE5000-0AK00/all>

Image database (product images, 2D dimension drawings, 3D models, device circuit diagrams, ...)

[http://www.automation.siemens.com/bilddb/cax\\_en.aspx?mlfb=3SE5000-0AK00](http://www.automation.siemens.com/bilddb/cax_en.aspx?mlfb=3SE5000-0AK00)



last change:

May 10, 2014