

ACTUATOR HEAD FOR POSITION SWITCH 3SE51/52 EN50041;
ROLLER LEVER, METAL LEVER AND PLASTIC ROLLER 22MM



Figure similar

Product designation	actuator head for position switch
Manufacturer's article number	
<ul style="list-style-type: none"> of the supplied actuator head for position switches 	3SE5000-0AE05
General technical data	
Product function	
<ul style="list-style-type: none"> positive opening 	Yes
Shock resistance	
<ul style="list-style-type: none"> acc. to IEC 60068-2-27 	30 g / 11 ms
Vibration resistance	
<ul style="list-style-type: none"> acc. to IEC 60068-2-6 	0.35 mm/5g
Mechanical service life (switching cycles)	
<ul style="list-style-type: none"> typical 	15 000 000
Material of the enclosure of the switch head	plastic
Equipment marking	
<ul style="list-style-type: none"> acc. to DIN EN 61346-2 	T
<ul style="list-style-type: none"> acc. to DIN EN 81346-2 	T

Active principle	mechanical
Minimum actuating force in activation direction	10 N
Design of the interface for safety-related communication	without

Enclosure

Coating of the enclosure	Other types
--------------------------	-------------

Drive Head

Design of the operating mechanism	Roller lever, plastic roller
Standard-compliant actuator head	EN 50041
Shape of the switch head	roller
Outer diameter of the switch head	22 mm

Communication/ Protocol

Design of the interface	without
-------------------------	---------





Ambient conditions

Ambient temperature	
<ul style="list-style-type: none"> during operation during storage 	<p>-25 ... +85 °C</p> <p>-40 ... +90 °C</p>
Explosion protection category for dust	none

Installation/ mounting/ dimensions

Mounting position	any
Mounting type	lockable plug-in fixing

Certificates/approvals

General Product Approval	Declaration of Conformity	Test Certificates	other
 CSA	 UR	 EAC	 EG-Konf.
		Special Test Certificate	Confirmation

Further information

Information- and Downloadcenter (Catalogs, Brochures,...)

<http://www.siemens.com/industrial-controls/catalogs>

Industry Mall (Online ordering system)

<https://mall.industry.siemens.com/mall/en/en/Catalog/product?mlfb=3SE5000-0AE05>

Cax online generator

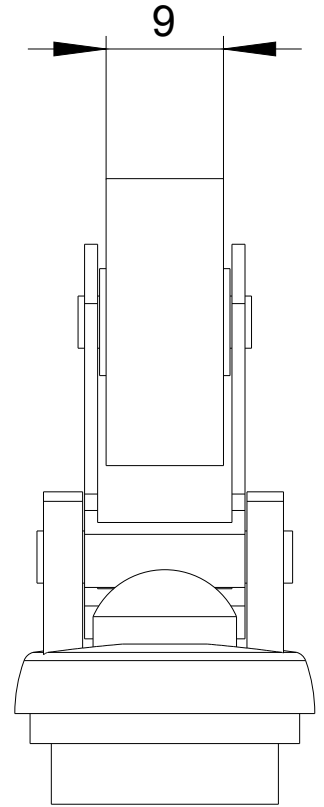
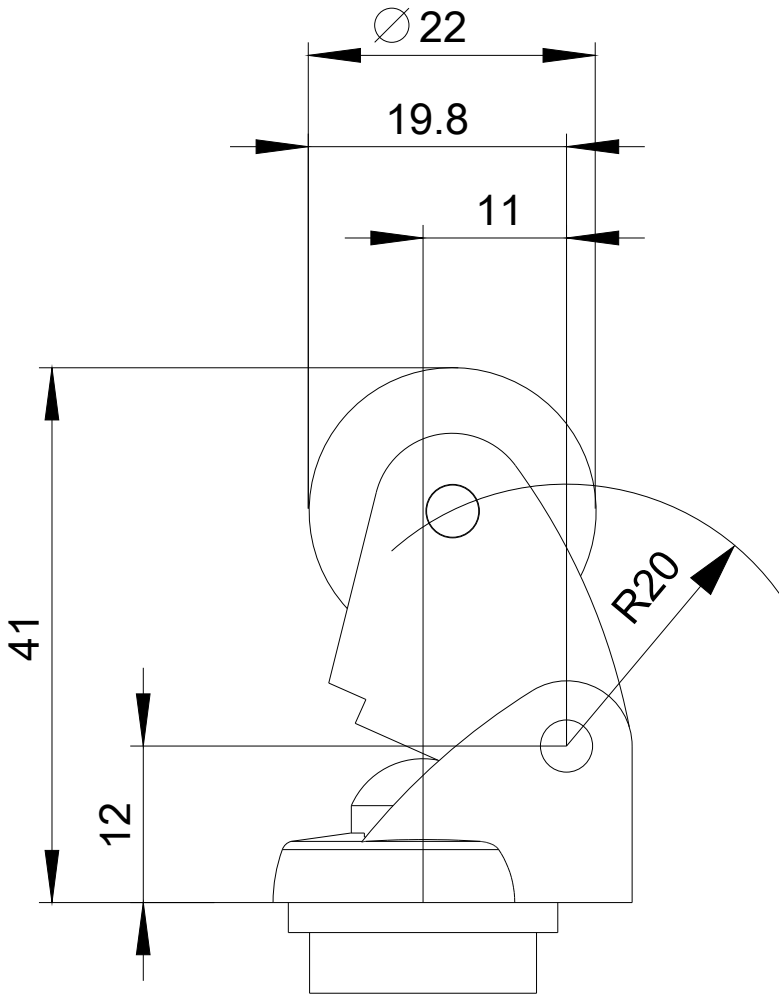
<http://support.automation.siemens.com/WW/CAXorder/default.aspx?lang=en&mlfb=3SE5000-0AE05>

Service&Support (Manuals, Certificates, Characteristics, FAQs,...)

<https://support.industry.siemens.com/cs/ww/en/ps/3SE5000-0AE05>

Image database (product images, 2D dimension drawings, 3D models, device circuit diagrams, EPLAN macros, ...)

http://www.automation.siemens.com/bilddb/cax_de.aspx?mlfb=3SE5000-0AE05&lang=en



last modified:

11/08/2017