



# Maximise energy savings with PIR sensor spotlight



## START Spot IP65 PIR

The START Spot IP65 PIR is a universal spotlight offering multiple sensor setting options and three adjustable colour temperature options for easy customisation to suit the need of the user.

It can automatically switch lights ON when it senses movement and OFF after no motion is detected.

The product comes with 2 wattage switch on the driver (6W-10W) as standard with 670lm & 1050lm in 3 CCT version 2700K, 3000K & 4000K.

The bezel is attached to the product with magnetic function, so it is easy to install and change the settings. What's more, it is offered with non PIR bezel and additional accessory of black PIR and black non PIR bezel.

The ease of installation makes Start Spot IP65 PIR a cost-effective solution for new construction and replacement applications.

# START Spot IP65 PIR



## Features

- Start Spot IP65 PIR is offered in 2 versions- without and with PIR sensor
- Integrated PIR sensor with time (30s-3min), lux (day-night) and sensitivity (0.1-2m) settings
- 2 power switches on the driver to deliver 2 light outputs - 670lm or 1050lm and efficacy of up to 105lm/W
- 3 selectable light colour options - 2700K, 3000K and 4000K
- Magnetic bezel design which allows easy access to the 3-way switch to control the colour temperature and PIR sensor settings even after the installation
- Additional black bezels as accessories
- PIR sensor with master slave function- one PIR spotlight controls other non PIR spotlights with switch load up to 200W
- Ultra-low profile suitable for shallow ceiling voids (max 32mm)
- Cut-out 68mm
- Can be covered by insulation material
- IP65/IP20 rating
- Loop in – out connector
- Wide 50° beam angle
- Lifespan >50 000hrs L70B50

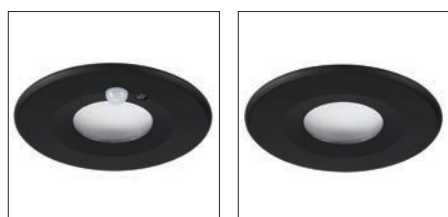
## Product information

Code	Description	Finish	Fixture Power (W)	Fixture lumen (lm)	Luminaire efficacy (lm/W)	Colour Temperature (K)	CRI	Dimmable	Control Technology
<b>START Spot IP65</b>									
0005191	START Spot IP65 PIR 670-1050LM 3CCT WHT	White	6-10	670-1050	105	2700-3000-4000	80	No	PIR, Switch
0005244	START Spot IP65 670-1050LM 3CCT WHT	White	6-10	670-1050	105	2700-3000-4000	80	No	Switch

Accessories- additional bezel rings

## Accessories

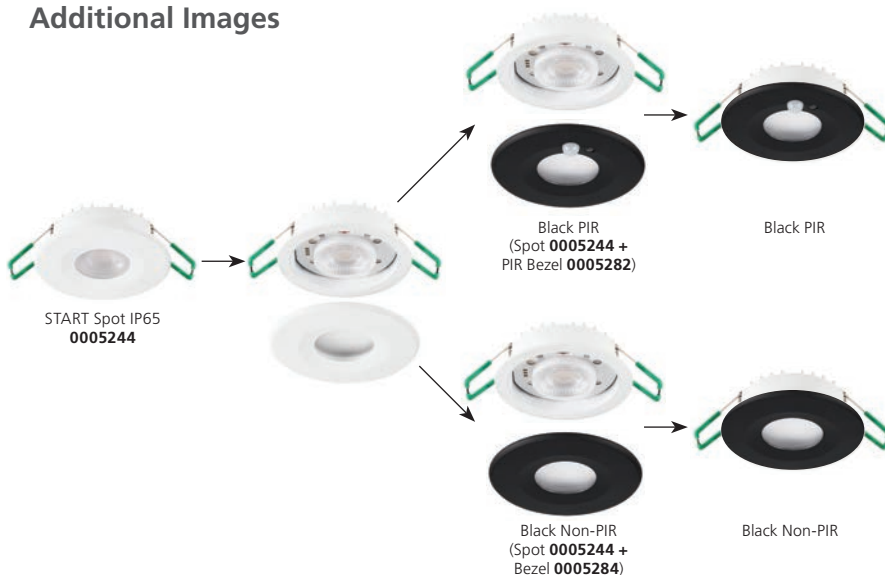
Code	Description
0005582	START Spot PIR Bezel BLK
0005584	START Spot Non PIR Bezel BLK



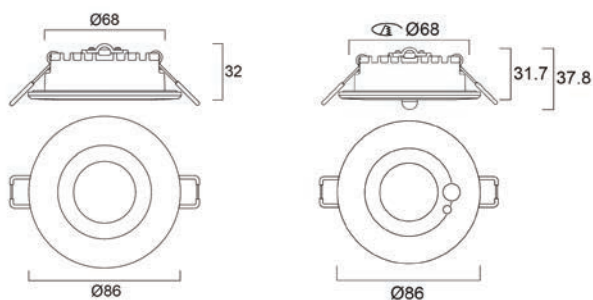
0005582

0005584

## Additional Images

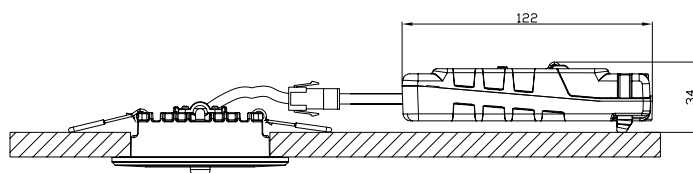


## Dimensions (mm)



START Spot IP65

START Spot IP65 PIR

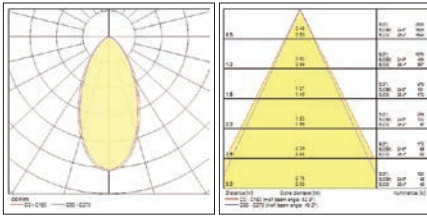


# START Spot IP65



## Photometric Data

0005191



## Additional Images



White PIR



White PIR



White PIR



Driver



Black PIR



Black PIR



Black PIR



3 CCT Settings



White Non PIR



White Non PIR



White Non PIR



PIR Settings



Black Non PIR



Black Non PIR



Black Non PIR

# SYLVANIA



CE UK  
CA

in f  

Although every effort has been made to ensure accuracy in the compilation of the technical detail within this publication, specifications and performance data are constantly changing. Current details should therefore be checked with Feilo Sylvania International Group Kft.

Copyright Feilo Sylvania International Group Kft. December 2025

[sylvania-group.com](https://sylvania-group.com)

A Feilo Sylvania Company